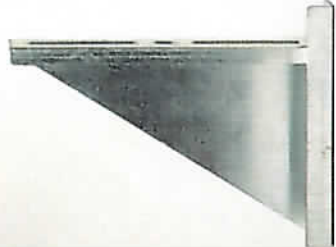


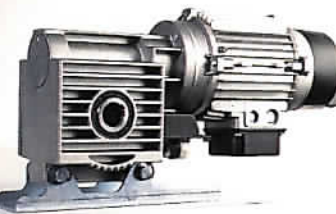
Rolling door shaft-mounted drives – robust and safe



The rolling door drives from elero – DFM and DKM



Wall bracket for models 170-750



Door drive models 170-750



Chain wheel drive models 170-750

elero rolling door drives and controls are developed in line with the state of the art and the EN standard, and are certified by TÜV and VDE.



Robust drive and versatile control offering

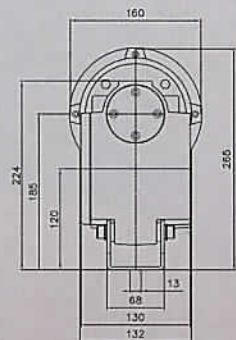
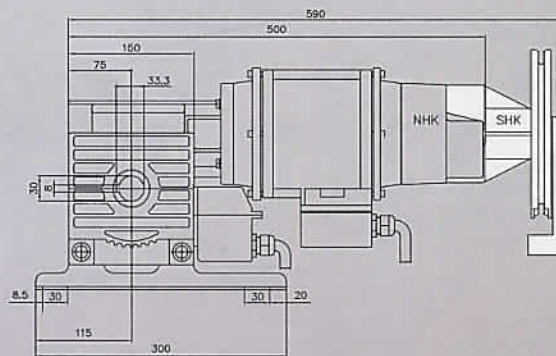
The robust elero rolling door drives can be used with all types of doors. The rolling door drives are available in various versions with an integrated safety brake or as chain wheel drives. All the drives are available as 400/230 V models, with a plug-in connection and 4 or 6 precise mechanical limit switches. They can be easily mounted on either side of the door.

To this end you have the choice between 4 different door controls:

- the simple **BoxControl compact**
- the modular **BoxControl with the BoxCards basic, plus or premium**
- the versatile **MasterControl**
- the gentle **SoftControl**

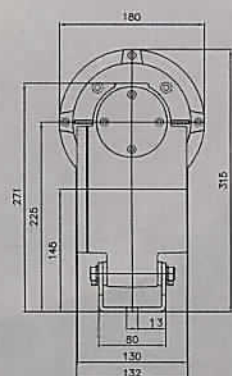
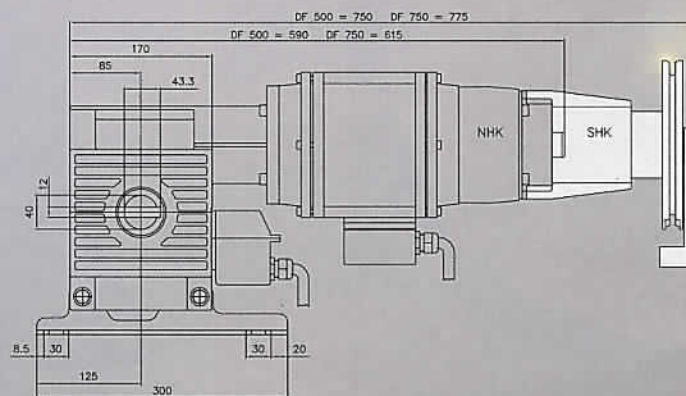
The elero rolling door drives in combination with the control provide a high safety standard and fulfill the requirements laid down in the EN 12453 and EN 12604 standards for type-tested doors.

WFM 170, DFM 170-350



DF 500-750

DFM 500-750



Simple, modular, multifunctional and gentle: the elero door controls



Door controls are at the heart of a door system, 4 control versions developed and tested to European door standards cover virtually every requirement.

The simple BoxControl compact for rolling and sectional doors

The BoxControl compact is an inexpensive dead man mode control for simple door systems.

The modular BoxControl for rolling doors, sectional doors and roller grilles

The modular BoxControl was developed to meet the requirements for many door versions. Thanks to the pluggable BoxCards, it is possible to convert and retrofit doors with simple functions right through to full automation.

The mains, motor and control cables are pluggable and can be laid with the minimum of effort, thus ensuring quick and easy installation. The casing is made of impact-resistant, halogen-free and temperature-resistant polycarbonate; it has an IP rating of 65.

BoxCards basic, plus or premium from dead man mode through to automatic door control

basic: For simple door systems with dead man or impulse control (maintained mode), external analytical devices and remote controls can be connected.

plus: For simple door systems with impulse control. Analysis for an optoelectronic or electromechanical door edge safety system (8.2 K Ω) is integrated. There are additional connections for light barriers, additional limit switches and an emergency key switch. Moreover, a radio module can be plugged in. An integrated, non-deletable door cycle counter and a maintenance interval counter are displayed and read using the integrated LEDs.

premium: The ideal automatic closing system for doors and roller grilles with traffic lights. The functions are the same as those with the BoxCard plus; there are also various adjustable operating modes. It is also possible to connect red/green traffic lights and a door status display, warning lights and a light barrier test unit (entanglement protection), as well as the garage lighting. There is also a slot for a timer.

The versatile MasterControl for rolling doors, sectional doors and roller grilles

The MasterControl is ideally suited to automatic rolling door and roller grille systems for underground car parks with simple traffic light control or oncoming traffic control.

The casing with IP 66 rating is easy to install and the control is ready for operation immediately thanks to the pre-assembled mains, motor and control cables. Testing of the door edge safety system and of the entanglement protection system, as well as the automatic closing function, make this an outstanding universal control. Programming is performed using the integrated LCD monitor and the menu can be displayed in three languages (D, GB, F).

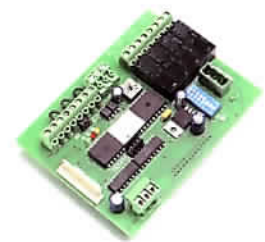
The gentle SoftControl only with DFM/DKM 170 for small rolling doors, sectional doors and roller grilles

The SoftControl with a frequency converter is ideally suited to small automatic rolling door and roller grille systems for underground car parks with simple traffic light control or oncoming traffic control, so as to operate the door gently and quickly.

The specifications, operating modes and displays are virtually the same as the MasterControl, only with roller grilles etc. an additional light barrier test unit is necessary.



Pluggable cables, the control is ready for operation



With BoxCards type and function



Technical data:

		WFM/WKM 170 NHK	DFM/DKM 170 NHK	DFM/DKM 250 NHK	DFM/DKM 250/27 NHK	DFM/DKM 350 NHK	DFM/DKM 500 NHK	DFM/DKM 500/31 NHK	DFM/DKM 750 NHK
Operating voltage	V	1 x 230	3 x 230/400	3 x 230/400	3 x 230/400	3 x 230/400	3 x 230/400	3 x 230/400	3 x 230/400
Nominal frequency	Hz	50	50	50	50	50	50	50	50
Nominal current	A	6.7	3.2/1.85	4.5/2.6	5.2/3.0	4.2/2.4	5.7/3.3	10.0/6.0	6.9/4.0
Power factor	cos φ	0.92	0.58	0.45	0.80	0.60	0.78	0.8	0.72
Insulation class	H	H	H	H	H	H	H	H	H
Nominal power	kW	1.4	0.75	0.8	1.1	1.0	1.7	2.2	1.9
Nominal torque	Nm	170	170	250	250	350	500	500	750
Protection class	IP	54	54	54	54	54	54	54	54
Rating S ₃	%	4 min	60	40	40	40	60	60	40
Speed	rpm	14	12.5	12.5	27	13.5	11	31	11
Limit switch range	turns	18	18	18	18	18	18	18	18

Lifting capacity chart (in kg):

	Max. shaft Ø mm	Profile thickness up to 20 mm Door height up to			Profile thickness up to 30 mm Door height up to		
		3 m	5 m	7 m	3 m	5 m	7 m
WFM/WKM 170 170 Nm	108	205	173	153	175	146	127
	133	186	163	146	164	139	122
	168	162	149	136	147	130	118
	193	142	136	128	138	124	112
DFM/DKM 250 250 Nm	219	126	125	120	124	115	107
	108	302	254	225	257	214	186
	133	273	240	214	242	204	180
	168	239	219	200	216	191	173
DFM/DKM 350 350 Nm	193	209	200	188	203	182	165
	219	186	185	176	182	169	157
	108	430	361	317	364	301	264
	133	382	336	300	338	286	252
DFM/DKM 500 500 Nm	168	334	307	280	303	268	243
	193	293	281	263	284	255	231
	219	260	258	247	254	237	220
	133	546	479	429	484	408	360
DFM/DKM 750 750 Nm	168	478	439	401	433	383	347
	193	419	401	375	405	365	330
	219	371	369	352	363	339	315
	244	335	335	326	328	318	301
DFM/DKM 750 750 Nm	133	819	719	643	725	613	540
	168	716	658	601	649	574	520
	193	628	601	563	608	547	494
	219	557	554	528	545	508	472
	244	502	502	489	492	477	452

Please refer to the chart "Permissible load for shafts" in our technical documentation. All the figures are guideline figures. Liability is excluded and we reserve the right to make technical changes. The stated figures refer to the complete rolling door in kg (15% friction has been taken into consideration).

Your elero specialist supplier: